



PENTA LASER

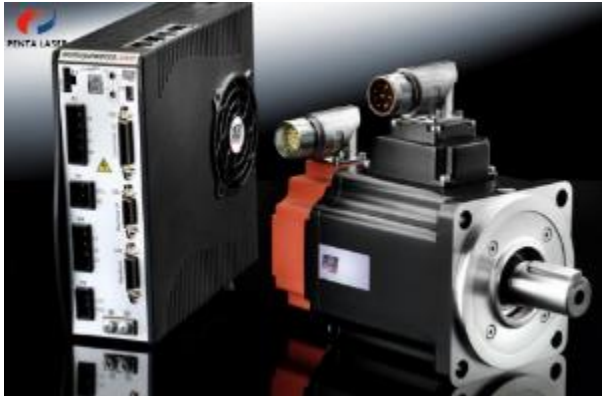
The 3rd Generation of Laser Cutting Technology

BOLT VII from Penta Laser



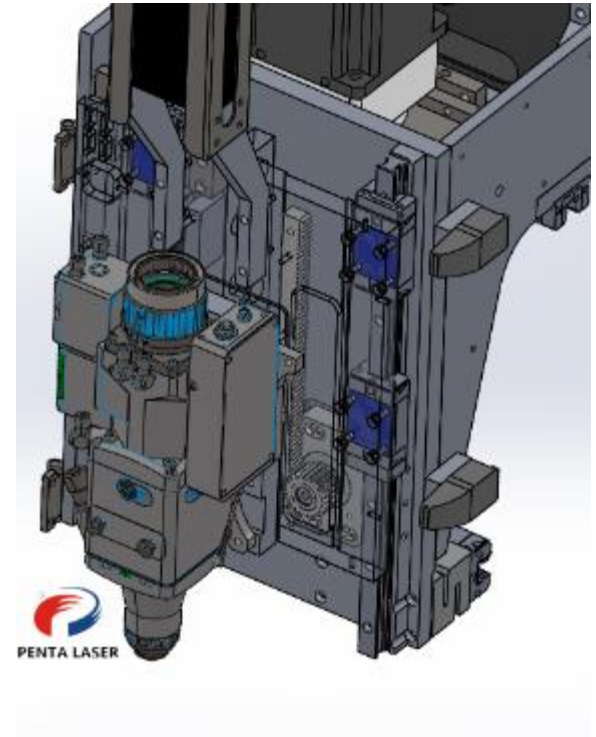
1. TOP Running Speed:

Fast rapid and acceleration



2. Stable Z-axis Rack and Pinion Structure with Fast Response

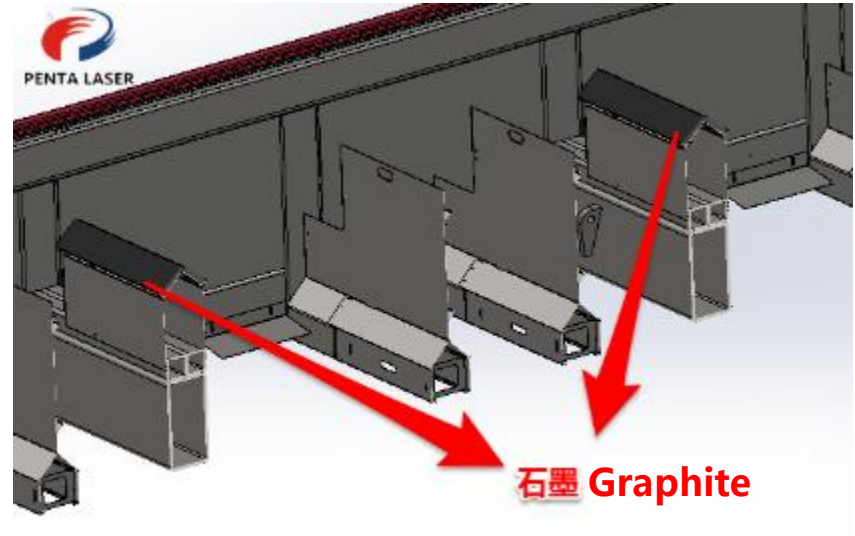
BOLT VII uses the latest sensor with sampling frequency improved by 8 times, greatly improving following performance and dynamic response speed.



3. Hollow Machine Tool with Protective Processing and Less Heat Input

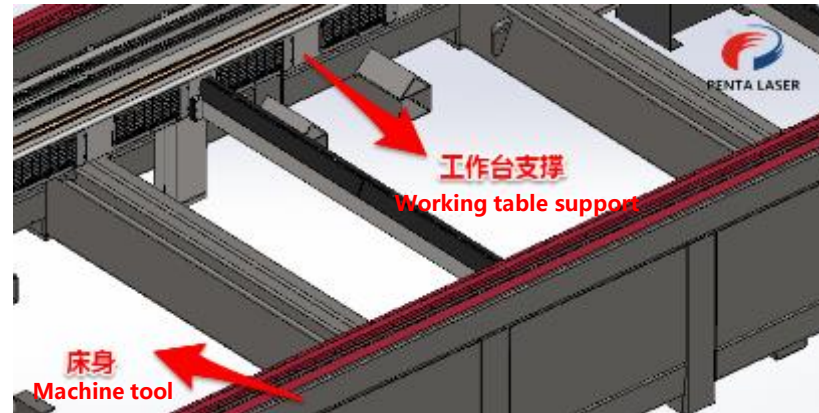
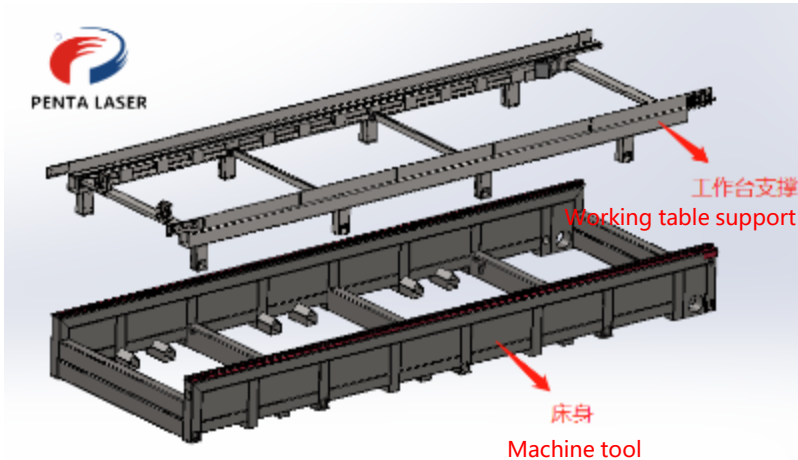
There is highly rigid intermediate connection structure designed on BOLT VII.

Graphite protective layer is placed on articulated beam of machine tool and articulated beam can keep distance between machine tool and cutting table; thus can be very helpful in reducing heat input to machine tool.



4 Split-type Machine Tool Structure Design Especially Suitable for Heavy Load

Machine tool is separate from working table support to avoid deformation caused by heavy load. Machine operation is more stable in this way and can bear weight of 70mm-thick plate in full-format cutting.



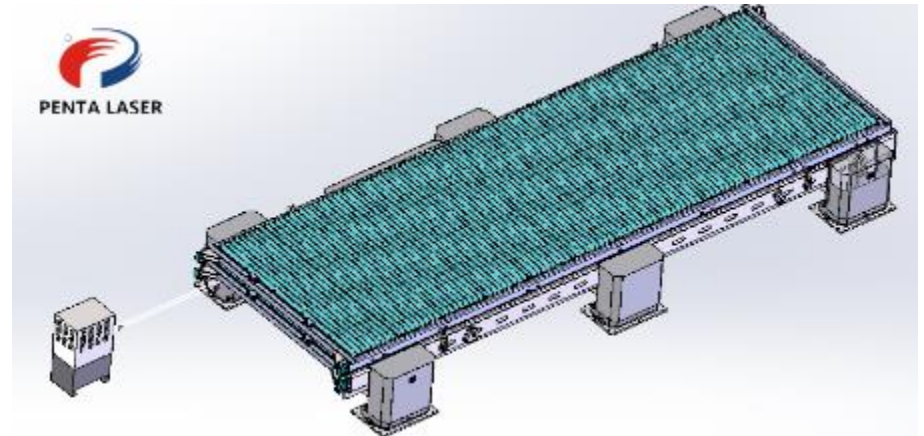
5. Hydraulic Lifting Table for Heavy Load

BOLT VII uses hydraulic lifting and descending to exchange working tables, able to maintain stable operation under heavy load.

8025 and larger formats use 6 hydraulic cylinders.

6025: maximum loading capacity 25tons

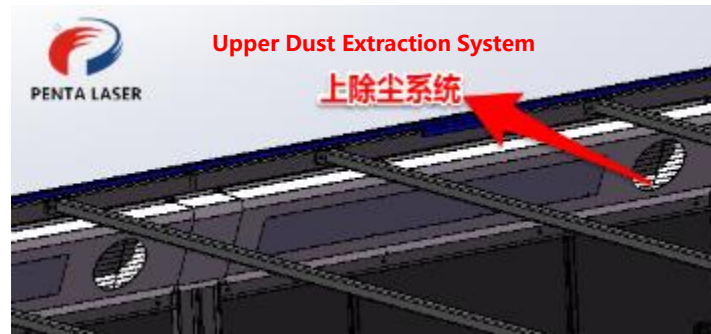
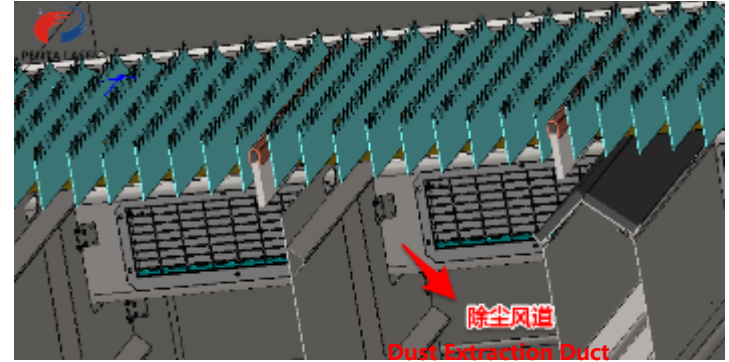
8025: maximum loading capacity 35 tons



6. Two-way Dust Extraction System

BOLT VII uses two-way dust extraction system. It is a dust extraction device specially designed to achieve the best result.

Besides, upper dust extraction system is placed to optimize dust removal effect.



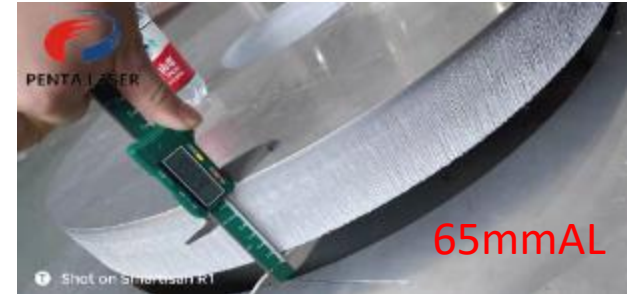
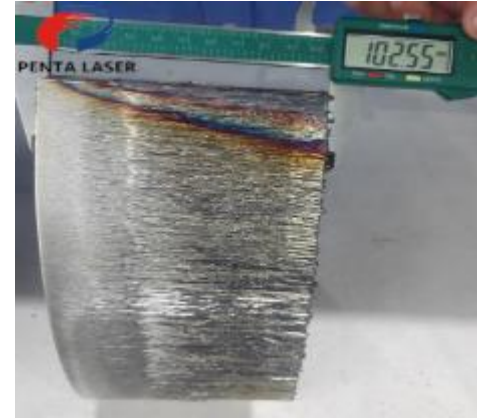
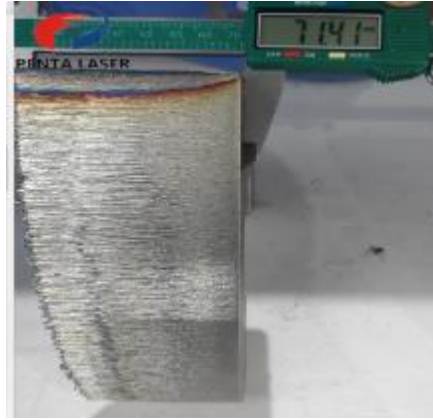
7. Dual PC, Big Screen

The dual-PC system separately runs basic CNC operations and host computer operations. The operation efficiency is higher and can upload NC files above 50M.

The 27" big touchscreen gives synchronous display of monitoring and operation interfaces. With rotation design, the screen makes operation much easier.



20KW Laser Power Cutting Thick Plates



Being Laser Application Expert

Creating Value for Customers

PENTA LASER



Thank you!

